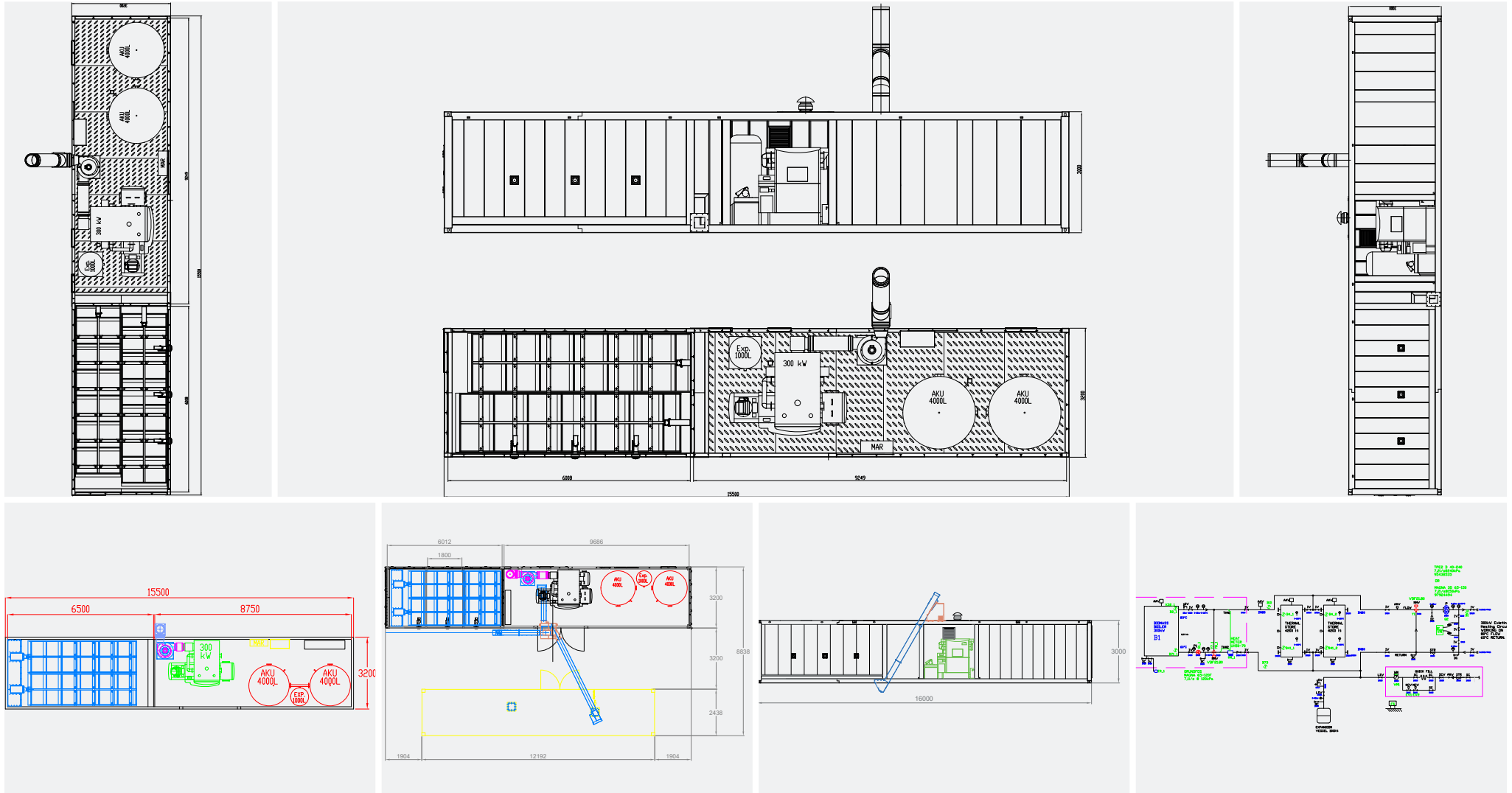


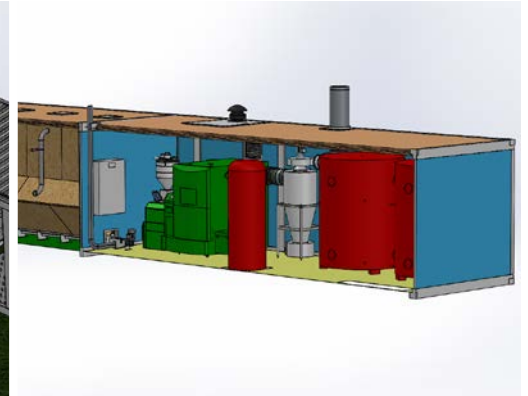
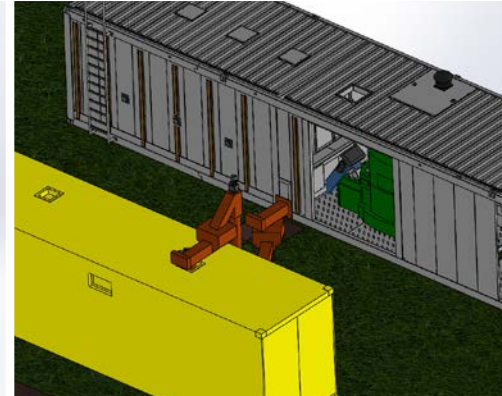
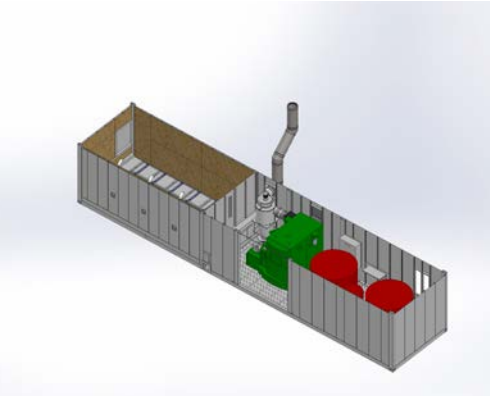
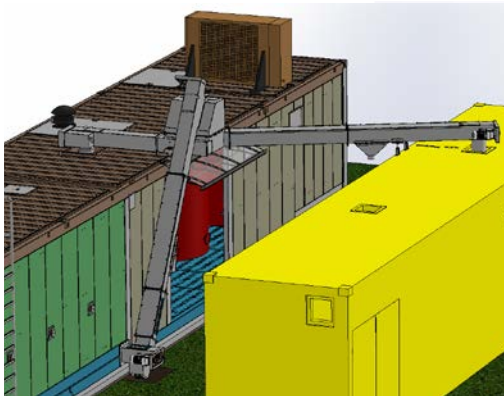
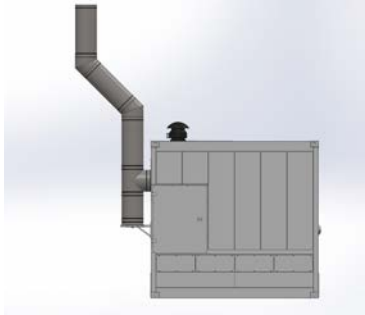
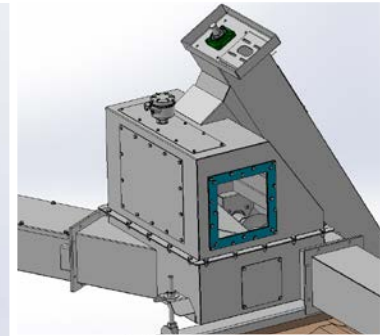
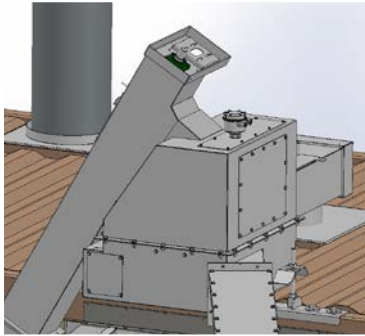
**SMART REFERENCE LIST | SMART SUPER MAGNUM CABIN**

SMART SUPER MAGNUM CABIN 3,2 X 3 X 16 M, WITH 300 KW BIOMASS BOILER SMART, HORIZONTAL PELLETS SILO WITH MOVING FLOOR, 8000 L OF ACCUMULATION TANKS STORAGE, SET OF EXTERNAL CONVEYORS, CONNECTION WITH COGENERATION 100 KWE + 200 KW, ST. MARIE SCHOOL, NAMUR, BELGIUM



**SMART REFERENCE LIST | SMART SUPER MAGNUM CABIN**

SMART SUPER MAGNUM CABIN 3,2 X 3 X 16 M, WITH 300 KW BIOMASS BOILER SMART, HORIZONTAL PELLETS SILO WITH MOVING FLOOR, 8000 L OF ACCUMULATION TANKS STORAGE, SET OF EXTERNAL CONVEYORS, CONNECTION WITH COGENERATION 100 KWE + 200 KW, ST. MARIE SCHOOL, NAMUR, BELGIUM



**SMART REFERENCE LIST | SMART SUPER MAGNUM CABIN**

SMART SUPER MAGNUM CABIN 3,2 X 3 X 16 M, WITH 300 KW BIOMASS BOILER SMART, HORIZONTAL PELLETS SILO WITH MOVING FLOOR, 8000 L OF ACCUMULATION TANKS STORAGE, SET OF EXTERNAL CONVEYORS, CONNECTION WITH COGENERATION 100 KWE + 200 KW, ST. MARIE SCHOOL, NAMUR, BELGIUM



**SMART REFERENCE LIST | SMART SUPER MAGNUM CABIN**

SMART SUPER MAGNUM CABIN 3,2 X 3 X 16 M, WITH 300 KW BIOMASS BOILER SMART, HORIZONTAL PELLETS SILO WITH MOVING FLOOR, 8000 L OF ACCUMULATION TANKS STORAGE, SET OF EXTERNAL CONVEYORS, CONNECTION WITH COGENERATION 100 KWE + 200 KW, ST. MARIE SCHOOL, NAMUR, BELGIUM



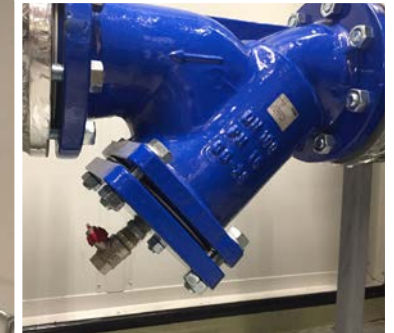
**SMART REFERENCE LIST | SMART SUPER MAGNUM CABIN**

SMART SUPER MAGNUM CABIN 3,2 X 3 X 16 M, WITH 300 KW BIOMASS BOILER SMART, HORIZONTAL PELLETS SILO WITH MOVING FLOOR, 8000 L OF ACCUMULATION TANKS STORAGE, SET OF EXTERNAL CONVEYORS, CONNECTION WITH COGENERATION 100 KWE + 200 KW, ST. MARIE SCHOOL, NAMUR, BELGIUM



**SMART REFERENCE LIST | SMART SUPER MAGNUM CABIN**

SMART SUPER MAGNUM CABIN 3,2 X 3 X 16 M, WITH 300 KW BIOMASS BOILER SMART, HORIZONTAL PELLETS SILO WITH MOVING FLOOR, 8000 L OF ACCUMULATION TANKS STORAGE, SET OF EXTERNAL CONVEYORS, CONNECTION WITH COGENERATION 100 KWE + 200 KW, ST. MARIE SCHOOL, NAMUR, BELGIUM



**SMART REFERENCE LIST | SMART SUPER MAGNUM CABIN**

SMART SUPER MAGNUM CABIN 3,2 X 3 X 16 M, WITH 300 KW BIOMASS BOILER SMART, HORIZONTAL PELLETS SILO WITH MOVING FLOOR, 8000 L OF ACCUMULATION TANKS STORAGE, SET OF EXTERNAL CONVEYORS, CONNECTION WITH COGENERATION 100 KWE + 200 KW, ST. MARIE SCHOOL, NAMUR, BELGIUM



**SMART REFERENCE LIST | SMART SUPER MAGNUM CABIN**

SMART SUPER MAGNUM CABIN 3,2 X 3 X 16 M, WITH 300 KW BIOMASS BOILER SMART, HORIZONTAL PELLETS SILO WITH MOVING FLOOR, 8000 L OF ACCUMULATION TANKS STORAGE, SET OF EXTERNAL CONVEYORS, CONNECTION WITH COGENERATION 100 KWE + 200 KW, ST. MARIE SCHOOL, NAMUR, BELGIUM





**SMART REFERENCE LIST | SMART SUPER MAGNUM CABIN**

SMART SUPER MAGNUM CABIN 3,2 X 3 X 16 M, WITH 300 KW BIOMASS BOILER SMART, HORIZONTAL PELLETS SILO WITH MOVING FLOOR, 8000 L OF ACCUMULATION TANKS STORAGE, SET OF EXTERNAL CONVEYORS, CONNECTION WITH COGENERATION 100 KWE + 200 KW, ST. MARIE SCHOOL, NAMUR, BELGIUM



## SMART REFERENCE LIST | SMART SUPER MAGNUM CABIN

SMART SUPER MAGNUM CABIN 3,2 X 3 X 16 M, WITH 300 KW BIOMASS BOILER SMART, HORIZONTAL PELLETS SILO WITH MOVING FLOOR, 8000 L OF ACCUMULATION TANKS STORAGE, SET OF EXTERNAL CONVEYORS, CONNECTION WITH COGENERATION 100 KWE + 200 KW, ST. MARIE SCHOOL, NAMUR, BELGIUM



**SMART REFERENCE LIST | SMART SUPER MAGNUM CABIN**

SMART SUPER MAGNUM CABIN 3,2 X 3 X 16 M, WITH 300 KW BIOMASS BOILER SMART, HORIZONTAL PELLETS SILO WITH MOVING FLOOR, 8000 L OF ACCUMULATION TANKS STORAGE, SET OF EXTERNAL CONVEYORS, CONNECTION WITH COGENERATION 100 KWE + 200 KW, ST. MARIE SCHOOL, NAMUR, BELGIUM



**SMART REFERENCE LIST | SMART SUPER MAGNUM CABIN**

SMART SUPER MAGNUM CABIN 3,2 X 3 X 16 M, WITH 300 KW BIOMASS BOILER SMART, HORIZONTAL PELLETS SILO WITH MOVING FLOOR, 8000 L OF ACCUMULATION TANKS STORAGE, SET OF EXTERNAL CONVEYORS, CONNECTION WITH COGENERATION 100 KWE + 200 KW, ST. MARIE SCHOOL, NAMUR, BELGIUM





# SMART HEATING TECHNOLOGY

SMART HEATING TECHNOLOGY

## SMART REFERENCE LIST | SMART SUPER MAGNUM CABIN

SMART SUPER MAGNUM CABIN 3,2 X 3 X 16 M, WITH 300 KW BIOMASS BOILER SMART, HORIZONTAL PELLETS SILO WITH MOVING FLOOR, 8000 L OF ACCUMULATION TANKS STORAGE, SET OF EXTERNAL CONVEYORS, CONNECTION WITH COGENERATION 100 KWE + 200 KW, ST. MARIE SCHOOL, NAMUR, BELGIUM

