



**SMART HEATING  
TECHNOLOGY**

*Romania*

Purity to Nature  
Savings to Clients  
Comfort to Users



# SMART ACCUMULATION TANKS

500-5000 l

- Steel / Stainless steel material option
- Anticorrosive Painting treatment
- Variation of insulation thickness
- Variation of insulation color
- Custom dimensions and specifications option
- Heating element option for antifreeze protection

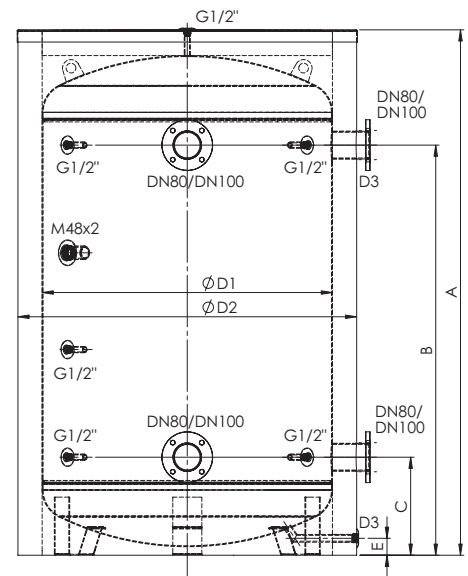
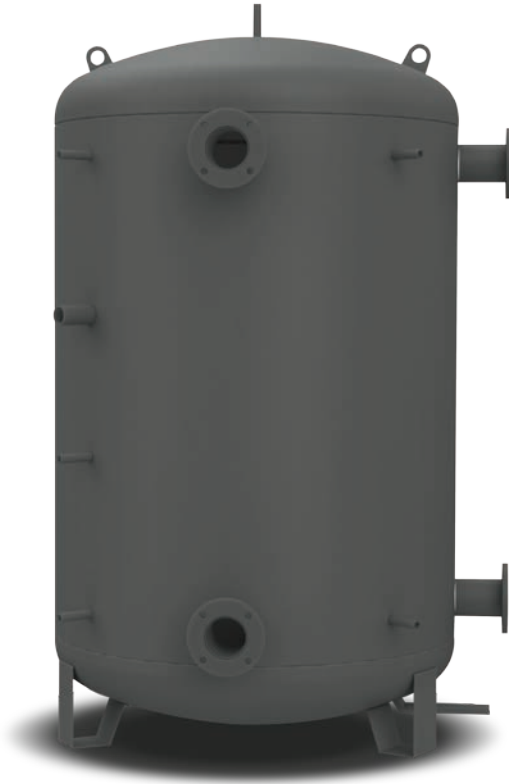
# ACCUMULATION TANK FE AKU



## Technical Specification:

|                            |  |
|----------------------------|--|
| Material                   | Steel CSN 11 321 Outside protection finish |
| Inside protection finish   | anticorrosive painting without treatment   |
| Max. operation pressure    | 0.6 MPa (6 bar)                            |
| Max. operation temperature | 100 °C                                     |
| Warranty                   | 36 Months                                  |

## Tank Schematics:



FE AKU – Accumulation tank with connecting flanges DN80/PN6

| Volume (l) | A (mm) | B (mm) | C (mm) | E (mm) | øD1 (mm) | øD2 (mm) | D3    | Weight (kg) | Insulation (mm)  | THL-I (kWh/day) |
|------------|--------|--------|--------|--------|----------|----------|-------|-------------|--|-----------------|
| 500        | 1910   | 1565   | 270    | 40     | 600      | 700      | G1/2" | 98          | Removable insulation made from soft PUR foam CELLA PV 100 mm | 2,45            |
| 750        | 1730   | 1345   | 300    | 55     | 790      | 990      | G1/2" | 130         |  | 2,97            |
| 800        | 1830   | 1445   | 300    | 55     | 790      | 990      | G1/2" | 135         |  | 3,12            |
| 900        | 1980   | 1595   | 300    | 55     | 790      | 990      | G1/2" | 142         |  | 3,35            |
| 1000       | 2230   | 1845   | 300    | 55     | 790      | 990      | G1/2" | 154         |  | 3,73            |
| 1200       | 2050   | 1635   | 340    | 65     | 950      | 1150     | G3/4" | 190         |  | 4,23            |
| 1500       | 2450   | 2035   | 340    | 65     | 950      | 1150     | G3/4" | 218         |  | 4,94            |
| 2000       | 2170   | 1695   | 400    | 70     | 1200     | 1400     | G3/4" | 320         |  | 5,74            |
| 3000       | 2285   | 1875   | 330    | 80     | 1400     | 1600     | G3/4" | 432         |  | 7,23            |
| 4000       | 2395   | 1930   | 385    | 110    | 1600     | 1800     | G3/4" | 578         |  | 8,78            |
| 5000       | 2895   | 2430   | 385    | 110    | 1600     | 1800     | G3/4" | 676         | 10,22  |                 |

Weight – Accumulation tank weight without insulation, THL-I - Thermal heat loss of insulated accumulation tank with water temperature 80 °C

FE AKU – Accumulation tank with connecting flanges DN100/PN6

| Volume (l) | A (mm) | B (mm) | C (mm) | E (mm) | øD1 (mm) | øD2 (mm) | D3    | Weight (kg) | Insulation (mm)  | THL-I (kWh/day) |
|------------|--------|--------|--------|--------|----------|----------|-------|-------------|--|-----------------|
| 500        | 1910   | 1565   | 270    | 40     | 600      | 700      | G1/2" | 100         | Removable insulation made from soft PUR foam CELLA PV 100 mm | 2,45            |
| 750        | 1730   | 1345   | 300    | 55     | 790      | 990      | G1/2" | 132         |  | 2,97            |
| 800        | 1830   | 1445   | 300    | 55     | 790      | 990      | G1/2" | 137         |  | 3,12            |
| 900        | 1980   | 1595   | 300    | 55     | 790      | 990      | G1/2" | 144         |  | 3,35            |
| 1000       | 2230   | 1845   | 300    | 55     | 790      | 990      | G1/2" | 156         |  | 3,73            |
| 1200       | 2050   | 1635   | 340    | 65     | 950      | 1150     | G3/4" | 192         |  | 4,23            |
| 1500       | 2450   | 2035   | 340    | 65     | 950      | 1150     | G3/4" | 220         |  | 4,94            |
| 2000       | 2170   | 1695   | 400    | 70     | 1200     | 1400     | G3/4" | 322         |  | 5,74            |
| 3000       | 2285   | 1875   | 330    | 80     | 1400     | 1600     | G3/4" | 434         |  | 7,23            |
| 4000       | 2395   | 1930   | 385    | 110    | 1600     | 1800     | G3/4" | 580         |  | 8,78            |
| 5000       | 2895   | 2430   | 385    | 110    | 1600     | 1800     | G3/4" | 678         | 10,22  |                 |

Weight – Accumulation tank weight without insulation, THL-I - Thermal heat loss of insulated accumulation tank with water temperature 80 °C

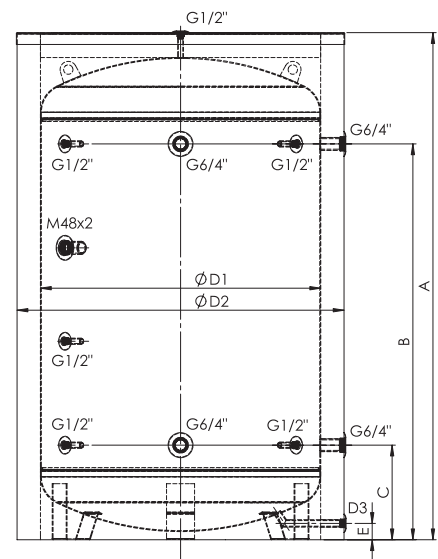
# ACCUMULATION TANK FE AKU ST



## Technical Specification:

|                            |                        |
|----------------------------|------------------------|
| Material                   | Steel CSN 11 321       |
| Outside protection finish  | anticorrosive painting |
| Inside protection finish   | without treatment      |
| Max. operation pressure    | 0. 6 MPa (6 bar)       |
| Max. operation temperature | 100 °C                 |
| Warranty                   | 36 Months              |

## Tank Schematics:



FE AKU ST – Accumulation tank with connecting threaded pipe G<sup>6</sup>/<sub>4</sub>

| Volume (l) | A (mm) | B (mm) | C (mm) | E (mm) | øD1 (mm) | øD2 (mm) | D3                              | Weight (kg) | Insulation (mm)  | THL-I (kWh/day) |
|------------|--------|--------|--------|--------|----------|----------|---------------------------------|-------------|--|-----------------|
| 500        | 1910   | 1565   | 270    | 40     | 600      | 700      | G <sup>1</sup> / <sub>2</sub> " | 82          | Removable insulation made from soft PUR foam CELLA PV 100 mm | 2,45            |
| 750        | 1730   | 1345   | 300    | 55     | 790      | 990      | G <sup>1</sup> / <sub>2</sub> " | 114         |  | 2,97            |
| 800        | 1830   | 1445   | 300    | 55     | 790      | 990      | G <sup>1</sup> / <sub>2</sub> " | 119         |  | 3,12            |
| 900        | 1980   | 1595   | 300    | 55     | 790      | 990      | G <sup>1</sup> / <sub>2</sub> " | 126         |  | 3,35            |
| 1000       | 2230   | 1845   | 300    | 55     | 790      | 990      | G <sup>1</sup> / <sub>2</sub> " | 138         |  | 3,73            |
| 1200       | 2050   | 1635   | 340    | 65     | 950      | 1150     | G <sup>3</sup> / <sub>4</sub> " | 174         |  | 4,23            |
| 1500       | 2450   | 2035   | 340    | 65     | 950      | 1150     | G <sup>3</sup> / <sub>4</sub> " | 202         |  | 4,94            |
| 2000       | 2170   | 1695   | 400    | 70     | 1200     | 1400     | G <sup>3</sup> / <sub>4</sub> " | 304         |  | 5,74            |
| 3000       | 2285   | 1875   | 330    | 80     | 1400     | 1600     | G <sup>3</sup> / <sub>4</sub> " | 416         |  | 7,23            |
| 4000       | 2395   | 1930   | 385    | 110    | 1600     | 1800     | G <sup>3</sup> / <sub>4</sub> " | 562         |  | 8,78            |
| 5000       | 2895   | 2430   | 385    | 110    | 1600     | 1800     | G <sup>3</sup> / <sub>4</sub> " | 660         |  | 10,22           |

Weight – Accumulation tank weight without insulation, THL-I - Thermal heat loss of insulated accumulation tank with water temperature 80 °C

## Examples of Customized Tanks ↓







**SMART HEATING  
TECHNOLOGY**

Romania



## HOW WE WORK WITH OUR CUSTOMERS

Smart Heating Technology s.r.o.

- 1 Evaluating current situation/state
- 2 Processing technical solutions
- 3 Calculating expenses and returnability
- 4 Producing precisely
- 5 Delivering and installing
- 6 Monitoring installation 24/7
- 7 Servicing and maintaining periodically
- 8 Supplying fuel

We analyze properly

We manufacture  
made-to-measure

We look after our clients

SMART HEATING TECHNOLOGY s.r.o.  
U Statku 653/24, 717 00 Ostrava-Bartovice  
Czech Republic  
[www.SmartHeating.cz](http://www.SmartHeating.cz)

For more technical information and prices,  
please contact our Sales Department:  
Phone: +420 777 960 560  
+420 734 751 655  
+420 777 258 481  
Email: [Sales@SmartHeating.cz](mailto:Sales@SmartHeating.cz)  
[Info@SmartHeating.cz](mailto:Info@SmartHeating.cz)

Partner: