



SMART HEATING
TECHNOLOGY

Japan

Purity to Nature
Savings to Clients
Comfort to Users



SMART ACCUMULATION TANKS

500-5000 l

- Steel / Stainless steel material option
- Anticorrosive Painting treatment
- Variation of insulation thickness
- Variation of insulation color
- Custom dimensions and specifications option
- Heating element option for antifreeze protection

ACCUMULATION TANK FE AKU



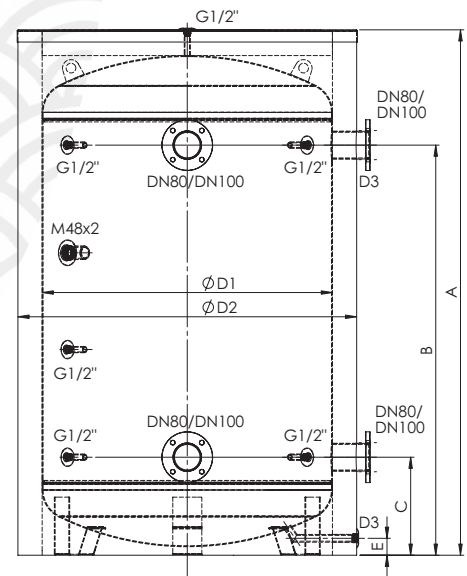
ISO 9001:2009

Technical Specification:

Material	Steel CSN 11 321
Outside protection finish	anticorrosive painting
Inside protection finish	without treatment
Max. operation pressure	0.6 MPa (6 bar)
Max. operation temperature	100 °C
Warranty	36 Months



Tank Schematics:



FE AKU – Accumulation tank with connecting flanges DN80/PN6

Volume (l)	A (mm)	B (mm)	C (mm)	E (mm)	øD1 (mm)	øD2 (mm)	D3	Weight (kg)	Insulation (mm)	THL-I (kWh/day)
500	1910	1565	270	40	600	700	G1/2"	98	Removable insulation made from soft PUR foam CELLA PV 100 mm	2,45
750	1730	1345	300	55	790	990	G1/2"	130		2,97
800	1830	1445	300	55	790	990	G1/2"	135		3,12
900	1980	1595	300	55	790	990	G1/2"	142		3,35
1000	2230	1845	300	55	790	990	G1/2"	154		3,73
1200	2050	1635	340	65	950	1150	G3/4"	190		4,23
1500	2450	2035	340	65	950	1150	G3/4"	218		4,94
2000	2170	1695	400	70	1200	1400	G3/4"	320		5,74
3000	2285	1875	330	80	1400	1600	G3/4"	432		7,23
4000	2395	1930	385	110	1600	1800	G3/4"	578		8,78
5000	2895	2430	385	110	1600	1800	G3/4"	676	10,22	

Weight – Accumulation tank weight without insulation, THL-I - Thermal heat loss of insulated accumulation tank with water temperature 80 °C

FE AKU – Accumulation tank with connecting flanges DN100/PN6

Volume (l)	A (mm)	B (mm)	C (mm)	E (mm)	øD1 (mm)	øD2 (mm)	D3	Weight (kg)	Insulation (mm)	THL-I (kWh/day)
500	1910	1565	270	40	600	700	G1/2"	100	Removable insulation made from soft PUR foam CELLA PV 100 mm	2,45
750	1730	1345	300	55	790	990	G1/2"	132		2,97
800	1830	1445	300	55	790	990	G1/2"	137		3,12
900	1980	1595	300	55	790	990	G1/2"	144		3,35
1000	2230	1845	300	55	790	990	G1/2"	156		3,73
1200	2050	1635	340	65	950	1150	G3/4"	192		4,23
1500	2450	2035	340	65	950	1150	G3/4"	220		4,94
2000	2170	1695	400	70	1200	1400	G3/4"	322		5,74
3000	2285	1875	330	80	1400	1600	G3/4"	434		7,23
4000	2395	1930	385	110	1600	1800	G3/4"	580		8,78
5000	2895	2430	385	110	1600	1800	G3/4"	678	10,22	

Weight – Accumulation tank weight without insulation, THL-I - Thermal heat loss of insulated accumulation tank with water temperature 80 °C

ACCUMULATION TANK FE AKU ST

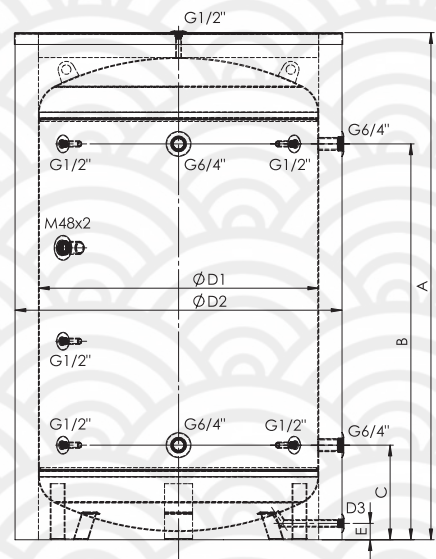


ISO 9001:2009

Technical Specification:

Material	Steel CSN 11 321
Outside protection finish	anticorrosive painting
Inside protection finish	without treatment
Max. operation pressure	0.6 MPa (6 bar)
Max. operation temperature	100 °C
Warranty	36 Months

Tank Schematics:



FE AKU ST – Accumulation tank with connecting threaded pipe G 6/4

Volume (l)	A (mm)	B (mm)	C (mm)	E (mm)	øD1 (mm)	øD2 (mm)	D3	Weight (kg)	Insulation (mm)	THL-I (kWh/day)
500	1910	1565	270	40	600	700	G1/2"	82	Removable insulation made from soft PUR foam CELLA PV 100 mm	2,45
750	1730	1345	300	55	790	990	G1/2"	114		2,97
800	1830	1445	300	55	790	990	G1/2"	119		3,12
900	1980	1595	300	55	790	990	G1/2"	126		3,35
1000	2230	1845	300	55	790	990	G1/2"	138		3,73
1200	2050	1635	340	65	950	1150	G3/4"	174		4,23
1500	2450	2035	340	65	950	1150	G3/4"	202		4,94
2000	2170	1695	400	70	1200	1400	G3/4"	304		5,74
3000	2285	1875	330	80	1400	1600	G3/4"	416		7,23
4000	2395	1930	385	110	1600	1800	G3/4"	562		8,78
5000	2895	2430	385	110	1600	1800	G3/4"	660		10,22

Weight – Accumulation tank weight without insulation, THL-I - Thermal heat loss of insulated accumulation tank with water temperature 80 °C

Examples of Customized Tanks ↓





SMART HEATING
TECHNOLOGY

Japan



HOW WE WORK WITH OUR CUSTOMERS

Smart Heating Technology s.r.o.

- 1 Evaluating current situation/state
- 2 Processing technical solutions
- 3 Calculating expenses and returnability
- 4 Producing precisely
- 5 Delivering and installing
- 6 Monitoring installation 24/7
- 7 Servicing and maintaining periodically
- 8 Supplying fuel

We analyze properly

We manufacture
made-to-measure

We look after our clients

SMART HEATING TECHNOLOGY s.r.o.
U Statku 653/24, 717 00 Ostrava-Bartovice
Czech Republic
www.SmartHeating.cz

For more technical information and prices,
please contact our Sales Department:
Phone: +420 777 960 560
+420 734 751 655
+420 777 258 481
Email: Sales@SmartHeating.cz
Info@SmartHeating.cz

Partner: